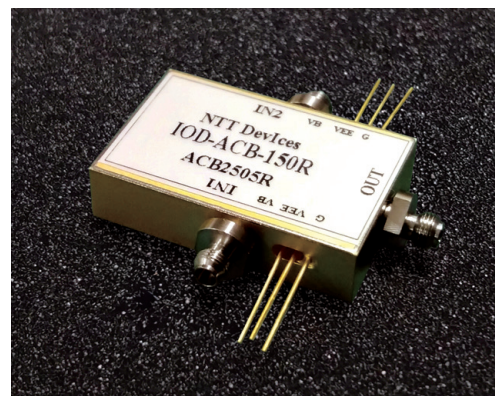


# 150GHz Active Combiner Module

An active combiner is an RF (radio frequency) component that merges multiple signal sources into one output while amplifying them to compensate for losses, ensuring high signal quality.



## FEATURES

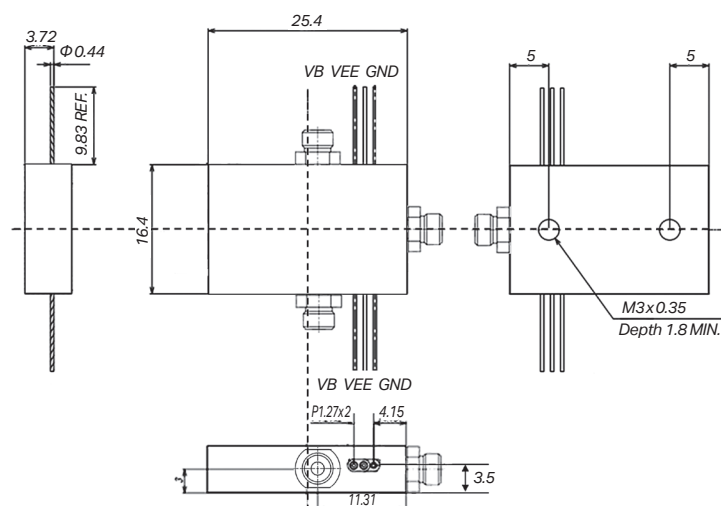
- Active two-way combiner module with an analog bandwidth of 150 GHz.
- 0.8mm connector interfaces
- Hermetic sealing package, small size

## SPECIFICATIONS

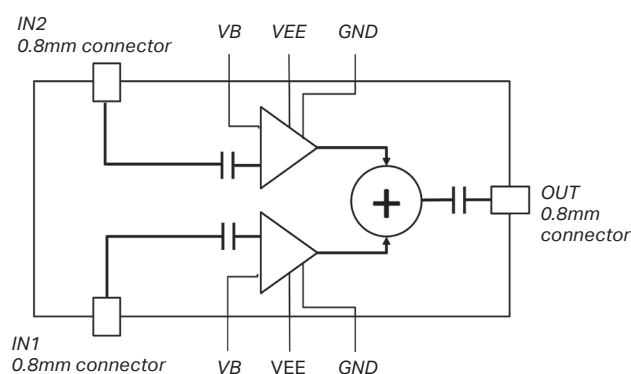
Item	Specifications *Tentative value
Power Supply Voltage	-4.5V / -1.8V
Power Supply Current	135mA / 30mA*
3dB Bandwidth	~ 145GHz*
Gain	0dB

## OUTSIDE DIMENSIONS

IOD-ACB-150R



FUNCTIONAL DIAGRAM



## NTT Innovative Devices Corporation

Aquaria Tower Yokohama, 1-1-32 Shin-urashimacho,  
Kanagawa-ku, Yokohama-shi, Kanagawa, 221-0031, Japan

E-mail: [projectj-p@ntt-devices.com](mailto:projectj-p@ntt-devices.com) <https://www.ntt-innovative-devices.com/en/>



Sensing application  
website